

NATURAL GAS SERVICE AND METER LOOP

LGE AUBURNDALE (MOST OF LOUISVILLE) 502 364 8300

LGE TROUBLE (AFTER HOURS) 502 589 5511

BUD DIAL 811 HAVE YOUR CONTACTOR # AND ADDRESS WITH CROSS STREET READY.

METER LOOP

1. MUST HAVE SWING OR BE AN APPROVED PREFABRICATED TYPE.
2. SERVICE SIDE MUST HAVE TAMPER PROOF GAS COCK.
3. METER LOOP CAN NOT HAVE ANY STREET FITTINGS OR CLOSE NIPPLES IN ITS MAKE UP.
4. SERVICE SIDE MUST HAVE 2 HANGERS; HOUSE LINE MUST HAVE AT LEAST 1. SEE LGE DIAGRAMS.
5. HOUSELINE WALL PENETRATION MUST BE SLEEVED AT WALL.
6. DON'T FORGET YOUR VENT, AIR INTAKE AND IGNITION SOURCE METER LOCATION LIMITATIONS, GOOD TO HAVE 36" FROM ALL THE ABOVE. ALSO TRAFFIC AREAS WILL REQUIRE BARRICADES TO PROTECT METER AREA SEE LGE FOR DETAILS.

GAS SERVICE

1. ALWAYS CALL LGE TO VERIFY GAS PRESSURE AT STREET.
2. MINIMUM DEPTH FOR GAS LINE IS 18".
3. ACCESS BTU USAGE OF HOUSE OR BUILDING AND SIZE ACCORDING TO LGE TABLES.
4. DON'T FORGET YOUR TRACER WIRE, GROUND CLAMPS, INSERTS, SLEEVES AND GROUND CLAMPS. SEE LGE DIAGRAMS.

USE A CURRENT LG&E "CUSTOMER GAS PIPING HANDBOOK" OR CALL LG&E FOR ALL YOUR GAS PIPING INSTALLATIONS IN THE LOUISVILLE AREA.

**TABLE 3.1
LOW PRESSURE SERVICE LINE CAPACITY
(Thousand BTUH based on 0.5" w.c. pressure drop)**

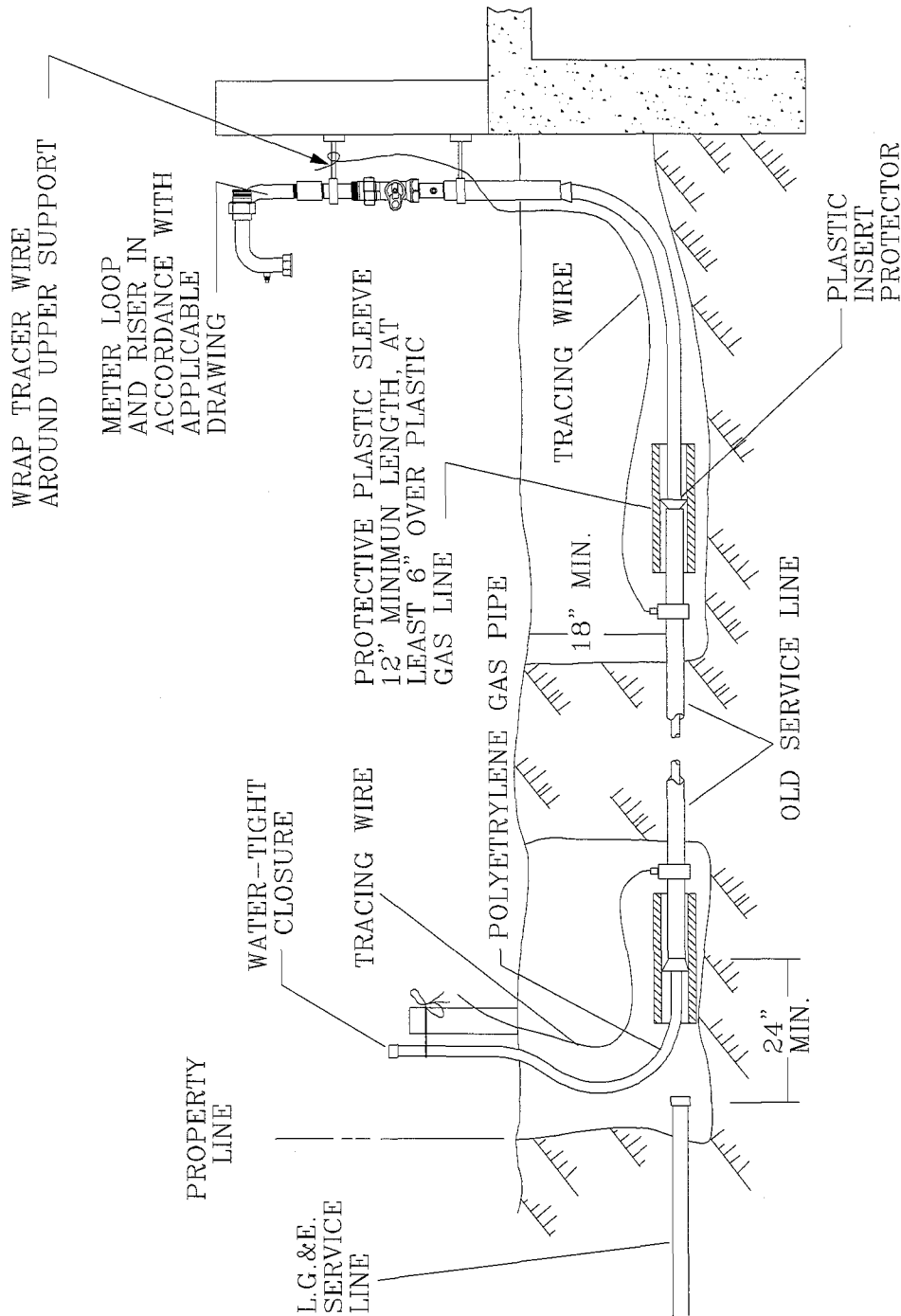
LENGTH	NOMINAL POLYETHYLENE PIPE SIZE				
	1" CTS	1-1/4" IPS	2" IPS	3" IPS	4" IPS
Feet					
25	321	855	2,396	6,721	13,630
30	289	770	2,161	6,067	12,310
35	264	705	1,980	5,563	11,290
40	244	653	1,835	5,160	10,480
45	228	610	1,716	4,829	9,811
50	215	574	1,616	4,550	9,248
60	193	517	1,457	4,105	8,348
70	176	473	1,334	3,763	7,656
80	163	438	1,236	3,489	7,101
90	152	409	1,156	3,264	6,646
100	143	385	1,088	3,074	6,263
200	111	257	730	2,072	4,232
300	96	203	578	1,643	3,361
400	83	177	489	1,393	2,853
500	67	166	429	1,225	2,512
600	56	158	386	1,103	2,263
700	48	151	352	1,009	2,072
800	42	143	326	934	1,919
900	37	137	304	873	1,793
1,000	34	130	286	821	1,688

**TABLE 3.2
ELEVATED PRESSURE SERVICE LINE CAPACITY
(Thousand BTUH based on 4" w.c. pressure drop)**


LENGTH (Feet)	NOMINAL POLYETHYLENE PIPE SIZE				
	1" CTS	1-1/4" IPS	2" IPS	3" IPS	4" IPS
25	1,075	2,830	7,848	21,810	43,980
50	725	1,916	5,331	14,860	30,010
75	575	1,524	4,248	11,860	23,980
100	488	1,294	3,614	10,100	20,440
125	429	1,140	3,187	8,919	18,060
150	387	1,028	2,876	8,054	16,320
200	328	872	2,444	6,855	13,900
250	288	768	2,154	6,048	12,270
300	259	692	1,942	5,459	11,080
350	237	633	1,779	5,005	10,170
400	219	586	1,649	4,642	9,433
500	192	515	1,452	4,092	8,322
600	173	464	1,309	3,692	7,512
700	158	424	1,198	3,383	6,887
800	146	393	1,110	3,136	6,388
1,000	128	345	977	2,763	5,633
1,200	122	310	880	2,491	5,081
1,400	117	284	805	2,282	4,657
1,600	112	262	745	2,114	4,317
1,800	108	245	696	1,977	4,038
2,000	105	230	655	1,861	3,804

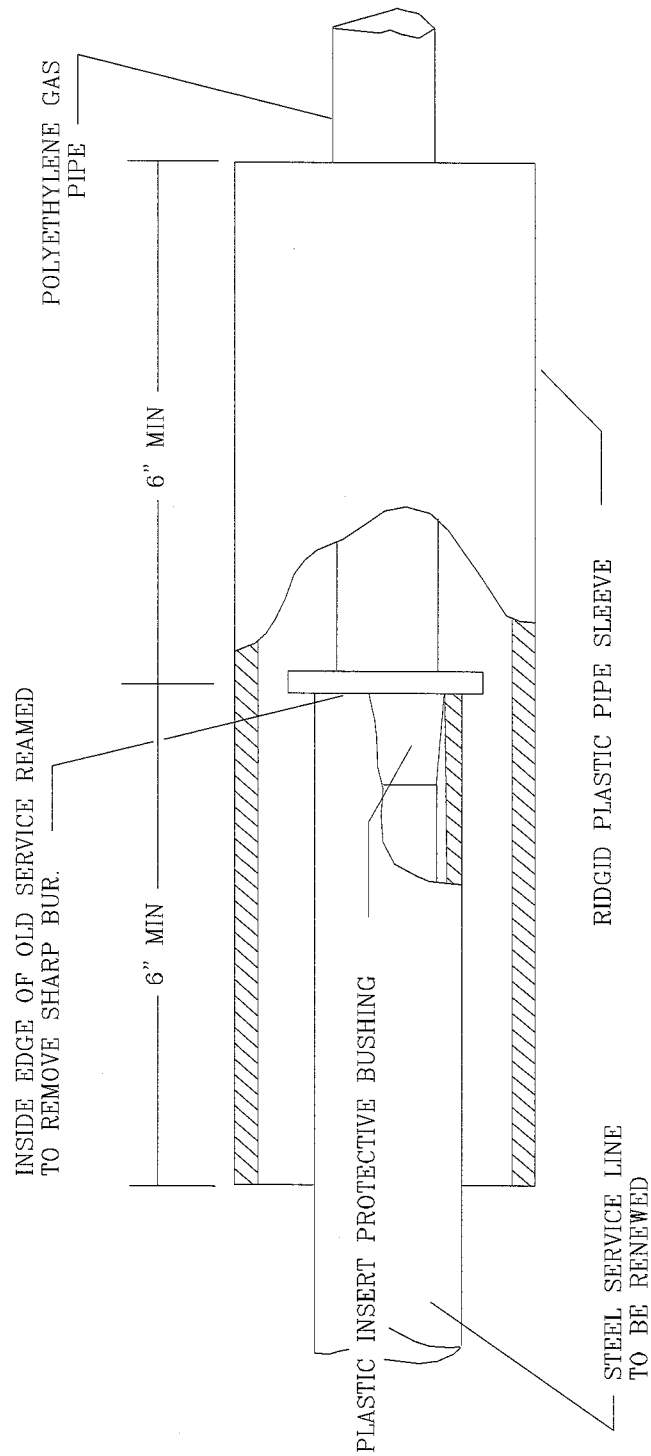
**TABLE 3.2
ELEVATED PRESSURE SERVICE LINE CAPACITY
(Thousand BTUH based on 4" w.c. pressure drop)**

LENGTH (Feet)	NOMINAL POLYETHYLENE PIPE SIZE				
	1" CTS	1-1/4" IPS	2" IPS	3" IPS	4" IPS
25	1,075	2,830	7,848	21,810	43,980
50	725	1,916	5,331	14,860	30,010
75	575	1,524	4,248	11,860	23,980
100	488	1,294	3,614	10,100	20,440
125	429	1,140	3,187	8,919	18,060
150	387	1,028	2,876	8,054	16,320
200	328	872	2,444	6,855	13,900
250	288	768	2,154	6,048	12,270
300	259	692	1,942	5,459	11,080
350	237	633	1,779	5,005	10,170
400	219	586	1,649	4,642	9,433
500	192	515	1,452	4,092	8,322
600	173	464	1,309	3,692	7,512
700	158	424	1,198	3,383	6,887
800	146	393	1,110	3,136	6,388
1,000	128	345	977	2,763	5,633
1,200	122	310	880	2,491	5,081
1,400	117	284	805	2,282	4,657
1,600	112	262	745	2,114	4,317
1,800	108	245	696	1,977	4,038
2,000	105	230	655	1,861	3,804




NOTE:
CAREFULLY BACKFILL IN LAYERS TO PROVIDE PROPER SUPPORT OF PLASTIC PIPE AND TRACING WIRE, MAINTAINING 3" TO 6" CLEARANCE BETWEEN THEM.

Distribution Operations Gas Service Handbook 	Title: INSTALLATION OF POLYETHYLENE SERVICE BY INSERTION	Job# GCS - 20 20 003	Revision:	
		Date: 1/2/03	Drawn By: CLARK	Scale: None



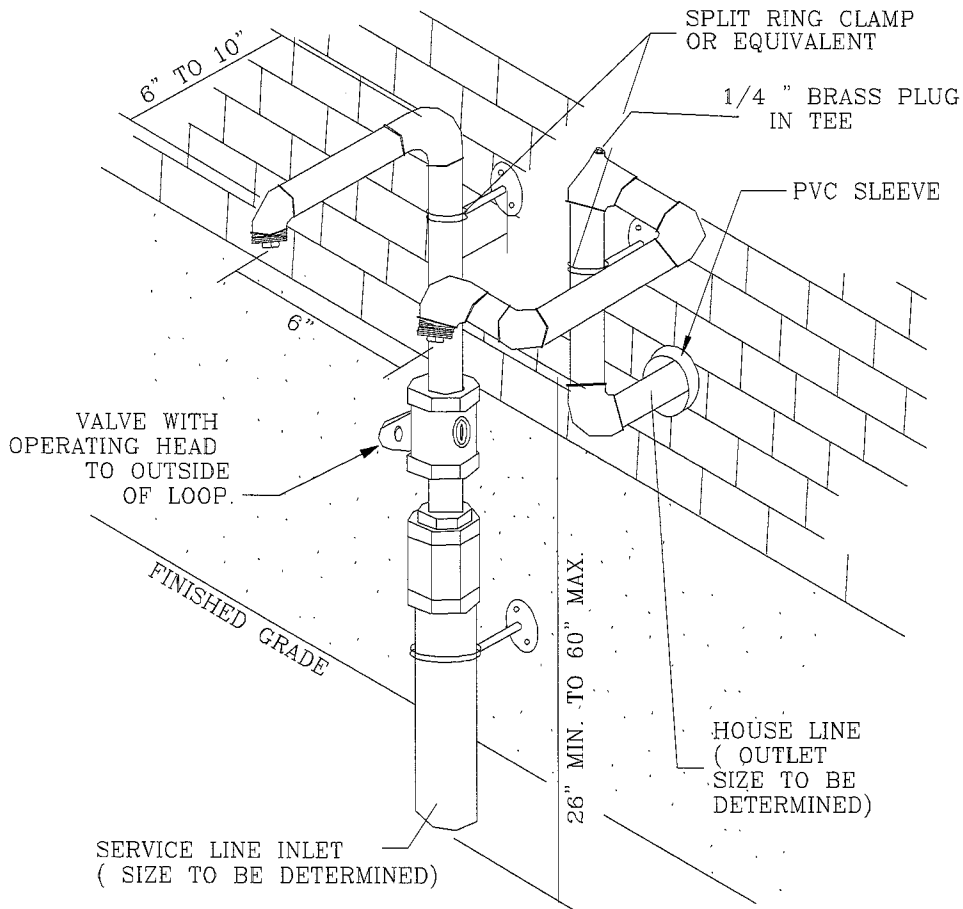
OLD DRAWING - A 13842

Distribution Operations Gas Service Handbook 	Title: DETAIL OF INSERT PROTECTOR & SLEEVE FOR POLYETHYLENE INSERTION	Job# GCS - 20 20 004		Revision:	
		Date: 1/2/03	Drawn By: CLARK	Scale: None	Sheet: 1 of 1

NOTE: THE STOP INSTALLED UPSTREAM OF METER MUST BE LOCK-OFF TYPE, TAMPERPROOF AND HAVE A 100 P.S.I. OR GREATER OPERATING PRESSURE.

METER CONNECTIONS SHALL BE 1" IN SIZE.

ON MEDIUM AND HIGH PRESSURE, THE STOP SHALL NOT BE LESS THAN 3/4" ON LOW PRESSURE OR ELEVATED PRESSURE THE MINIMUM SIZE STOP SHALL BE 1".

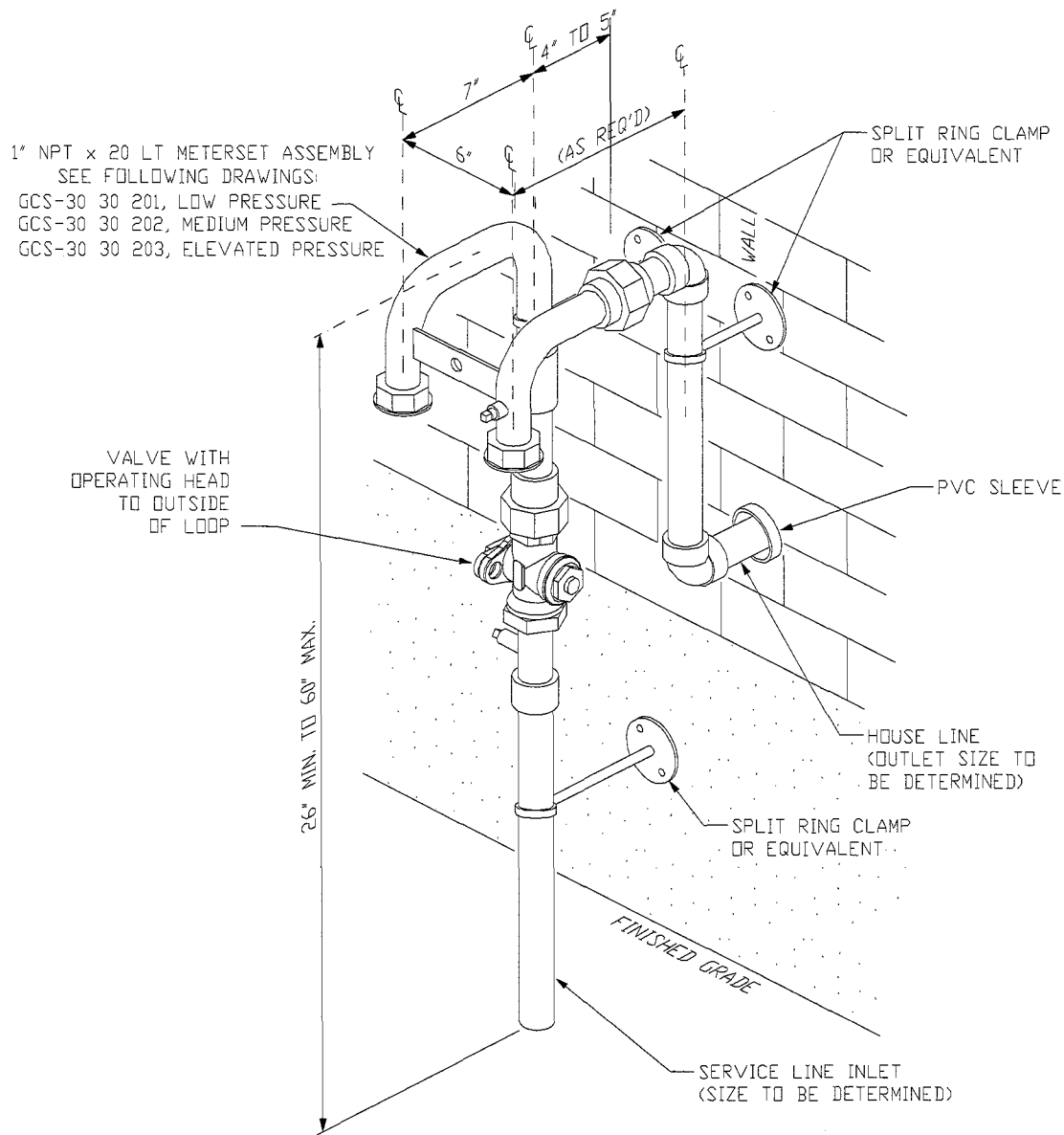


NOTE:
DO NOT USE STREET ELBOWS OR CLOSE NIPPLES IN METER LOOP

IMPORTANT NOTE:
THIS DRAWING HAS BEEN SUPERCEDED BY DWGS. GCS-30 20 201, GCS-30 30 201, GCS-30 30 202 & GCS-30 30 203
USE THIS DRAWING ONLY WHEN SPECIFIED BY AREA GAS OPERATIONS CENTER


Distribution Operations Gas Service Handbook 	Title: 1" METER LOOP FIELD FABRICATED	Job# GCS - 30 20 204		Revision:	
		Date:	Drawn By:	Scale:	Sheet:
		1/2/03	CLARK	None	1 of 1

OLD DRAWING - A 13645



NOTE: DO NOT USE STREET ELBOWS OR CLOSE NIPPLES IN METER LOOP.

OLD DRAWING - A 15869

Distribution Operations Gas Service Handbook 	Title: 1" PREFABRICATED METER LOOP	Job# GCS - 30 20 201		Revision:	
		Date: 1/2/03	Drawn By: CLARK	Scale: None	Sheet: 1 of 1